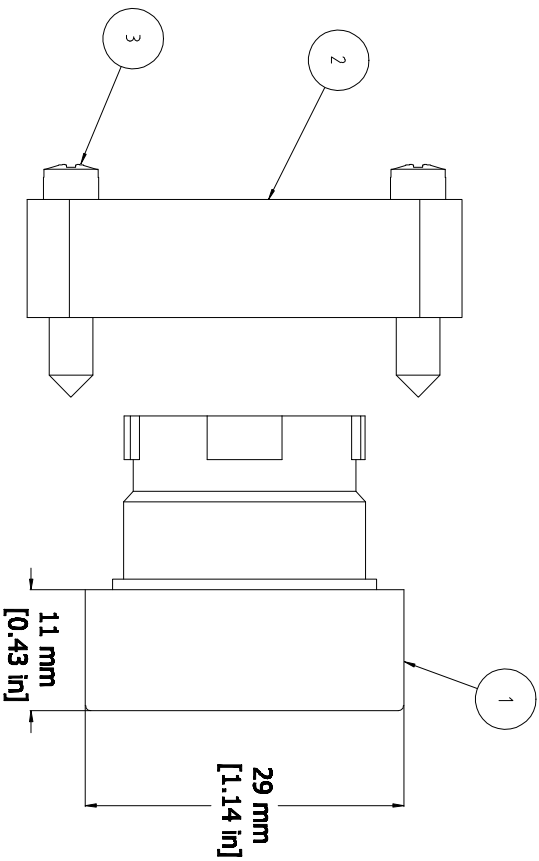
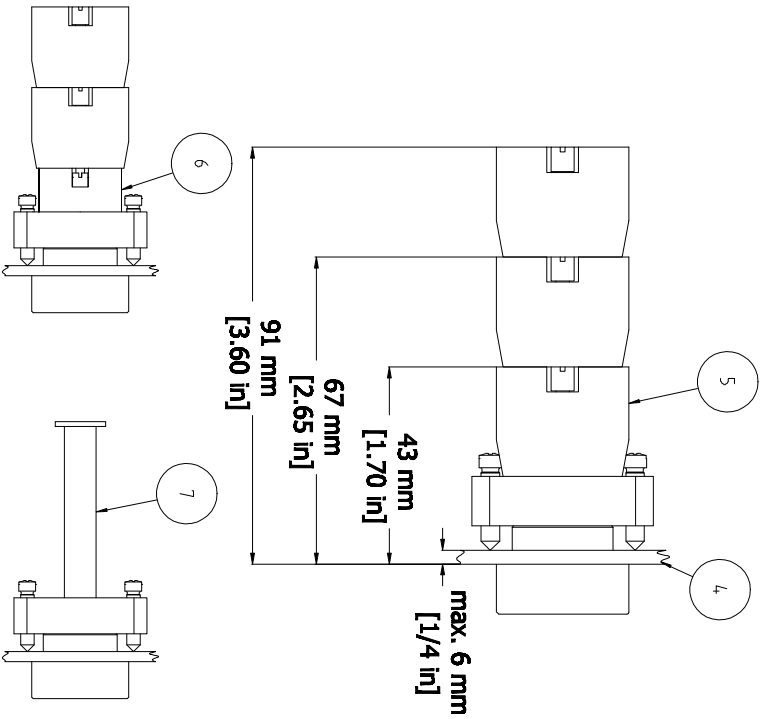
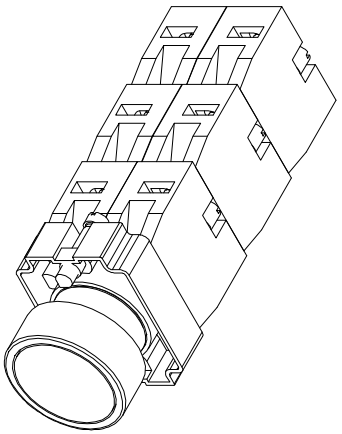


REVISIONS FOR DWG # 1PB-2AFX			
REV. CH. NO.	DESCRIPTION	DATE	REVISED BY
-	ORIGINAL DESIGN	09/12/07	Phil E.



ITEM	DESCRIPTION	CAT. NO.	COLOR	MIN. QTY.	MAX. QTY.
1	Flush Operator (comes with mounting bracket 2BRK)	2AF-1 2AF-2 2AF-3 2AF-4 2AF-6 2AF-8	White Black Green Red Blue Yellow	1 1 1 1 1 1	1 1 1 1 1 1
2	Mounting Bracket	2BRK	-	1	1
3	Mounting Bracket Screws	Incl. in 2BRK	-	2	2
4	Panel	-	-	-	-
5	Switch Contacts	S1 S2 S3 S4	Green Red Green/Gray Red/Gray	1 1 1 1	6 6 6 6
6	Maintained Action Block	2PPM	Black	1	1
7	Remote Attachment	Add Suffix "RR"	-	1	1

TITLE: 22 mm Non-Illuminated Metal Operator

2AFX

DRAWN BY:	09/12/07	DRAWING NO.:	REV.:
Philip Ernstberger		1PB-2AFX	-
CHECKED BY:	09/12/07	SCALE: -	SHEET: 1
Laszlo Gyorgypal			OF: 1
RELEASED BY:	09/12/07		
Laszlo Gyorgypal			

UNLESS OTHERWISE SPECIFIED
 • ALL DIMENSIONS ARE IN MILLIMETERS
 • THIRD ANGLE PROJECTION

TOLERANCE
 XX ±1mm
 XX X ±0.5mm
 XX.XX ±0.2mm
 ALL -mm

This Drawing is the property of
Attech Corp.
 35 Royal Road
 Flemington NJ 08822-6000
 (908) 806-9400 • Fax (908) 806-9490

AND IS A CONFIDENTIAL DISCLOSURE
 LENT WITHOUT CONSIDERATION OTHER
 THAN THE BORROWER'S AGREEMENT
 THAT IT SHALL NOT BE REPRODUCED,
 COPIED, LENT, OR DISPOSED OF
 DIRECTLY OR INDIRECTLY NOR USED
 FOR ANY PURPOSE OTHER THAN THAT
 FOR WHICH IT IS SPECIFICALLY
 FURNISHED.